

DATA SHEET

TRANSIENT VOLTAGE SUPPRESSORS

AC/DC POWER SUPPLY

1.5SMBJ-AT series

RoHS compliant & Halogen free



Product specification— June 30, 2023 V.0



Transient Voltage Suppressors (TVS) Data Sheet

Features

- For surface mounted applications in order to optimize board space
- Low profile package
- Built-in strain relief
- Glass passivated junction
- Low inductance
- Excellent clamping capability
- 1500W peak pulse power capability at 10/1000 μ s waveform, repetition rate (duty cycle): 0.01%
- Fast response time
- Typical I_R less than 1 μ A above 10V
- High Temperature soldering: 260 $^{\circ}$ C/10 seconds at terminals
- Plastic package has underwriters laboratory flammability 94V-0
- Meets MSL level 1, per J-STD-020
- Safety certification: UL
- AEC-Q101 qualified
- IEC61000-4-2 ESD 30KV Air, 30KV contact compliance



Mechanical Data

- Case: JEDEC DO-214AA. Molded plastic over glass passivated junction
- Terminal: Tin plated, solderable per MIL-STD-750, Method 2026
- Polarity: Color band denotes cathode except bi-directional models
- Standard Packaging: 12mm tape (EIA STD RS-481)
- Weight: 0.10g

Applications

- I/O interface
- AC/DC power supply
- Low frequency signal transmission line (RS232, RS485, etc.)

Maximum Ratings and Characteristics

Ratings at 25 $^{\circ}$ C ambient temperature unless otherwise specified.

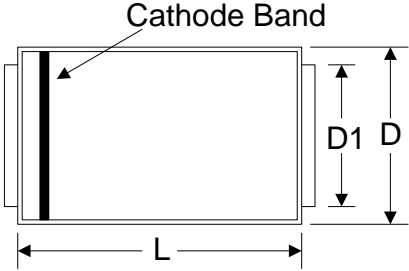
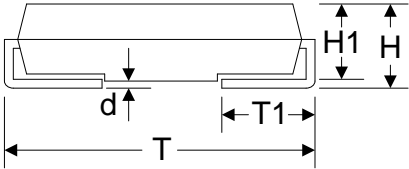
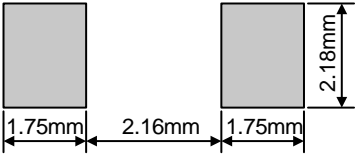
Rating	Symbol	Value	Units
Peak pulse power dissipation at 10/1000 μ s waveform (Note1, Note2, Fig.1)	P_{PPM}	Minimum 1500	Watts
Peak pulse current of at 10/1000 μ s waveform (Note 1, Fig.3)	I_{PPM}	See Table	Amps
Steady state power dissipation at $T_A=50^{\circ}$ C (Fig.5)	$P_{M(AV)}$	5.0	Watts
Peak forward surge current, 8.3ms single half sine-wave superimposed on rated load, (JEDEC Method) (Note3, Fig.6)	I_{FSM}	200	Amps
Operating junction and Storage Temperature Range.	T_J, T_{STG}	-55 to +150	$^{\circ}$ C
Typical thermal resistance junction to lead	$R_{\theta JL}$	20	$^{\circ}$ C/W
Typical thermal resistance junction to ambient	$R_{\theta JA}$	100	$^{\circ}$ C/W

Notes: 1. Non-repetitive current pulse, per Fig.3 and derated above $T_A=25^{\circ}$ C per Fig.2.

2. Mounted on 5.0mm \times 5.0mm copper pads to each terminal.

3. 8.3ms single half sine-wave, or equivalent square wave, duty cycle=4 pulses per minutes maximum.

Dimensions (SMB/DO-214AA)

Product:   Pad: 	Symbol	Millimeters		Inches	
		Min.	Max.	Min.	Max.
	L	4.06	4.57	0.160	0.180
	D	3.30	3.94	0.130	0.155
	D1	1.95	2.20	0.077	0.086
	T	5.21	5.59	0.205	0.220
	T1	0.76	1.52	0.030	0.060
	d	-	0.203	-	0.008
	H	2.15	2.65	0.085	0.104
	H1	2.13	2.47	0.084	0.097

Electrical Characteristics (T_A=25°C)

Part Number		Device Marking Code		Reverse Stand-Off Voltage	Breakdown Voltage @I _T	Test Current	Maximum Clamping Voltage @I _{PP}	Peak Pulse Current	Reverse Leakage @V _{RWM}
Unidirectional	Bidirectional	UNI	BI	V _{RWM} (V)	V _{BR} (V)	I _T (mA)	V _C (V)	I _{PP} (A)	I _R (μA)
1.5SMBJ5.0A-AT	1.5SMBJ5.0CA-AT	GDE	BDE	5.0	6.40~7.00	10	9.2	163.0	800
1.5SMBJ6.0A-AT	1.5SMBJ6.0CA-AT	GDG	BDG	6.0	6.67~7.37	10	10.3	145.7	800
1.5SMBJ6.5A-AT	1.5SMBJ6.5CA-AT	GDK	BDK	6.5	7.22~7.98	10	11.2	134.0	500
1.5SMBJ7.0A-AT	1.5SMBJ7.0CA-AT	GDM	BDM	7.0	7.78~8.60	10	12.0	125.0	200
1.5SMBJ7.5A-AT	1.5SMBJ7.5CA-AT	GDP	BDP	7.5	8.33~9.21	1	12.9	116.3	100
1.5SMBJ8.0A-AT	1.5SMBJ8.0CA-AT	GDR	BDR	8.0	8.89~9.83	1	13.6	110.3	50
1.5SMBJ8.5A-AT	1.5SMBJ8.5CA-AT	GDT	BDT	8.5	9.44~10.40	1	14.4	104.2	20
1.5SMBJ9.0A-AT	1.5SMBJ9.0CA-AT	GDV	BDV	9.0	10.00~11.10	1	15.4	97.4	10
1.5SMBJ10A-AT	1.5SMBJ10CA-AT	GDX	BDX	10.0	11.10~12.30	1	17.0	88.3	5
1.5SMBJ11A-AT	1.5SMBJ11CA-AT	GDZ	BDZ	11.0	12.20~13.50	1	18.2	82.5	1
1.5SMBJ12A-AT	1.5SMBJ12CA-AT	GEE	BEE	12.0	13.30~14.70	1	19.9	75.4	1
1.5SMBJ13A-AT	1.5SMBJ13CA-AT	GEG	BEG	13.0	14.40~15.90	1	21.5	69.8	1
1.5SMBJ14A-AT	1.5SMBJ14CA-AT	GEK	BEK	14.0	15.60~17.20	1	23.2	64.7	1
1.5SMBJ15A-AT	1.5SMBJ15CA-AT	GEM	BEM	15.0	16.70~18.50	1	24.4	61.5	1
1.5SMBJ16A-AT	1.5SMBJ16CA-AT	GEP	BEP	16.0	17.80~19.70	1	26.0	57.7	1
1.5SMBJ17A-AT	1.5SMBJ17CA-AT	GER	BER	17.0	18.90~20.90	1	27.6	54.4	1
1.5SMBJ18A-AT	1.5SMBJ18CA-AT	GET	BET	18.0	20.00~22.10	1	29.2	51.4	1

Transient Voltage Suppressors

1.5SMBJ-AT

Part Number		Device Marking Code		Reverse Stand-Off Voltage	Breakdown Voltage @ I_T	Test Current	Maximum Clamping Voltage @ I_{PP}	Peak Pulse Current	Reverse Leakage @ V_{RWM}
Unidirectional	Bidirectional	UNI	BI	$V_{RWM}(V)$	$V_{BR}(V)$	$I_T(mA)$	$V_C(V)$	$I_{PP}(A)$	$I_R(\mu A)$
1.5SMBJ20A-AT	1.5SMBJ20CA-AT	GEV	BEV	20.0	22.20~24.50	1	32.4	46.3	1
1.5SMBJ22A-AT	1.5SMBJ22CA-AT	GEX	BEX	22.0	24.40~26.90	1	35.5	42.3	1
1.5SMBJ24A-AT	1.5SMBJ24CA-AT	GEZ	BEZ	24.0	26.70~29.50	1	38.9	38.6	1
1.5SMBJ26A-AT	1.5SMBJ26CA-AT	GFE	BFE	26.0	28.90~31.90	1	42.1	35.7	1
1.5SMBJ28A-AT	1.5SMBJ28CA-AT	GFG	BFG	28.0	31.10~34.40	1	45.4	33.1	1
1.5SMBJ30A-AT	1.5SMBJ30CA-AT	GFK	BFK	30.0	33.30~36.80	1	48.4	31.0	1
1.5SMBJ33A-AT	1.5SMBJ33CA-AT	GFM	BFM	33.0	36.70~40.60	1	53.3	28.2	1
1.5SMBJ36A-AT	1.5SMBJ36CA-AT	GFP	BFP	36.0	40.00~44.20	1	58.1	25.9	1
1.5SMBJ40A-AT	1.5SMBJ40CA-AT	GFR	BFR	40.0	44.40~49.10	1	64.5	23.3	1
1.5SMBJ43A-AT	1.5SMBJ43CA-AT	GFT	BFT	43.0	47.80~52.80	1	69.4	21.7	1
1.5SMBJ45A-AT	1.5SMBJ45CA-AT	GFV	BFV	45.0	50.00~55.30	1	72.7	20.6	1
1.5SMBJ48A-AT	1.5SMBJ48CA-AT	GFX	BFX	48.0	53.30~58.90	1	77.4	19.4	1
1.5SMBJ51A-AT	1.5SMBJ51CA-AT	GFZ	BFZ	51.0	56.70~62.70	1	82.4	18.2	1
1.5SMBJ54A-AT	1.5SMBJ54CA-AT	GGE	BGE	54.0	60.00~66.30	1	87.1	17.3	1
1.5SMBJ58A-AT	1.5SMBJ58CA-AT	GGG	BGG	58.0	64.40~71.20	1	93.6	16.1	1
1.5SMBJ60A-AT	1.5SMBJ60CA-AT	GGK	BGK	60.0	66.70~73.70	1	96.8	15.5	1
1.5SMBJ64A-AT	1.5SMBJ64CA-AT	GGM	BGM	64.0	71.10~78.60	1	103.0	14.6	1
1.5SMBJ70A-AT	1.5SMBJ70CA-AT	GGP	BGP	70.0	77.80~86.00	1	113.0	13.3	1
1.5SMBJ75A-AT	1.5SMBJ75CA-AT	GGR	BGR	75.0	83.30~92.10	1	121.0	12.4	1
1.5SMBJ78A-AT	1.5SMBJ78CA-AT	GGT	BGT	78.0	86.70~95.80	1	126.0	11.9	1
1.5SMBJ85A-AT	1.5SMBJ85CA-AT	GGV	BGV	85.0	94.40~104.00	1	137.0	11.0	1
1.5SMBJ90A-AT	1.5SMBJ90CA-AT	GGX	BGX	90.0	100.00~111.00	1	146.0	10.3	1
1.5SMBJ100A-AT	1.5SMBJ100CA-AT	GGZ	BGZ	100.0	111.00~123.00	1	162.0	9.3	1
1.5SMBJ110A-AT	1.5SMBJ110CA-AT	GHE	BHE	110.0	122.00~135.00	1	177.0	8.5	1
1.5SMBJ120A-AT	1.5SMBJ120CA-AT	GHG	BHG	120.0	133.00~147.00	1	193.0	7.8	1
1.5SMBJ130A-AT	1.5SMBJ130CA-AT	GHK	BHK	130.0	144.00~159.00	1	209.0	7.2	1

Ratings and Characteristic Curves ($T_A=25^\circ\text{C}$ unless otherwise noted)

Figure 1. Peak Pulse Power Rating Curve

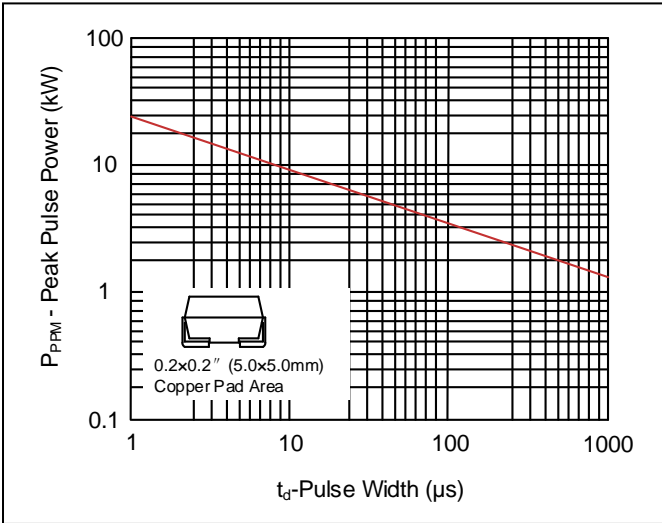


Figure 2. Pulse Derating Curve

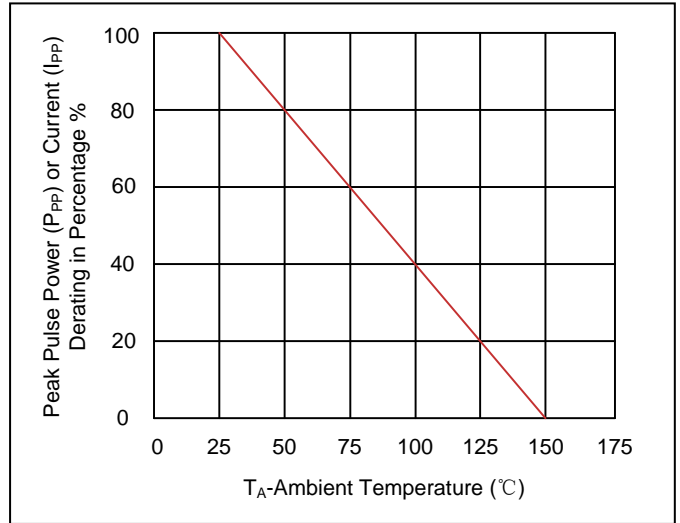


Figure 3. Pulse Waveform

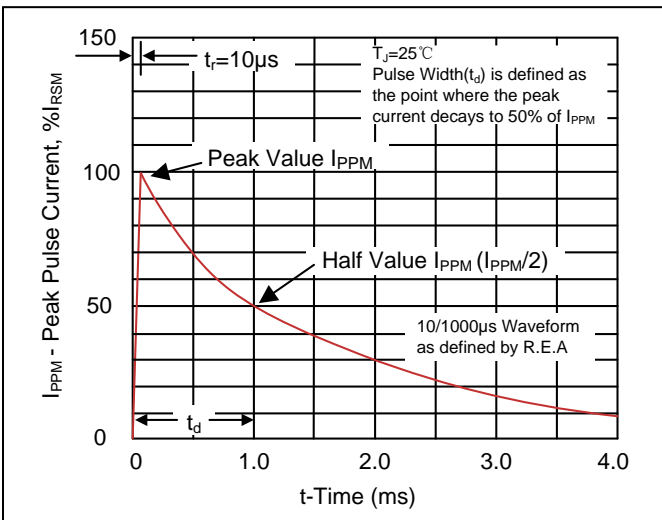


Figure 4. Typical Junction Capacitance

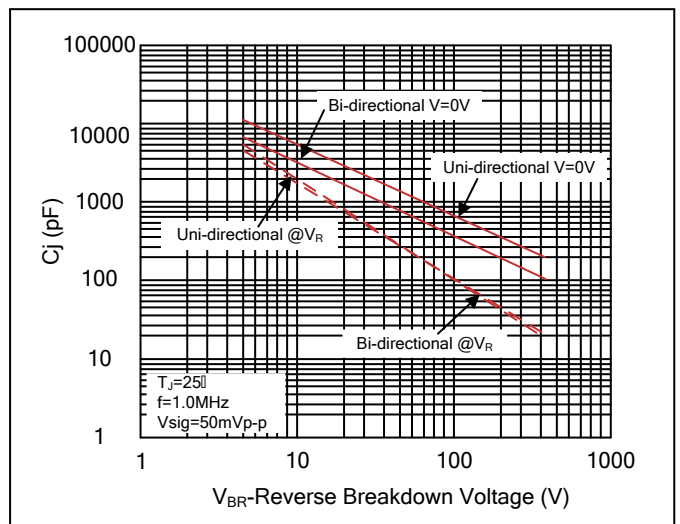


Figure 5. Steady State Power Dissipation Derating Curve

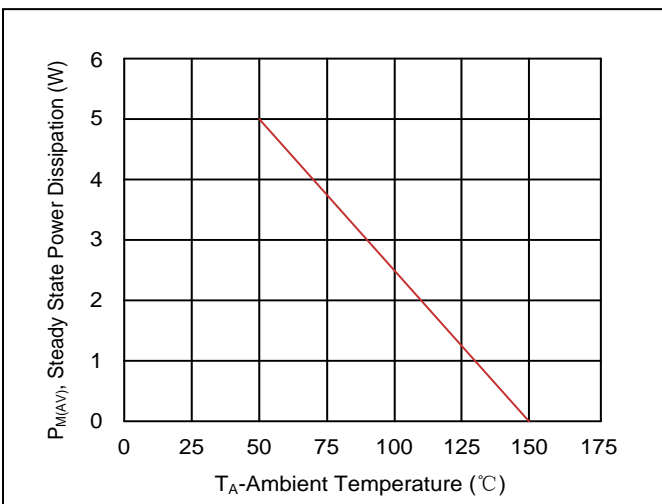
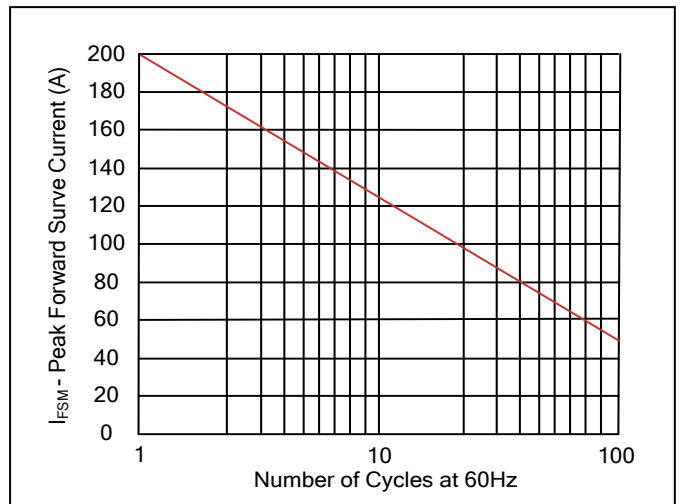
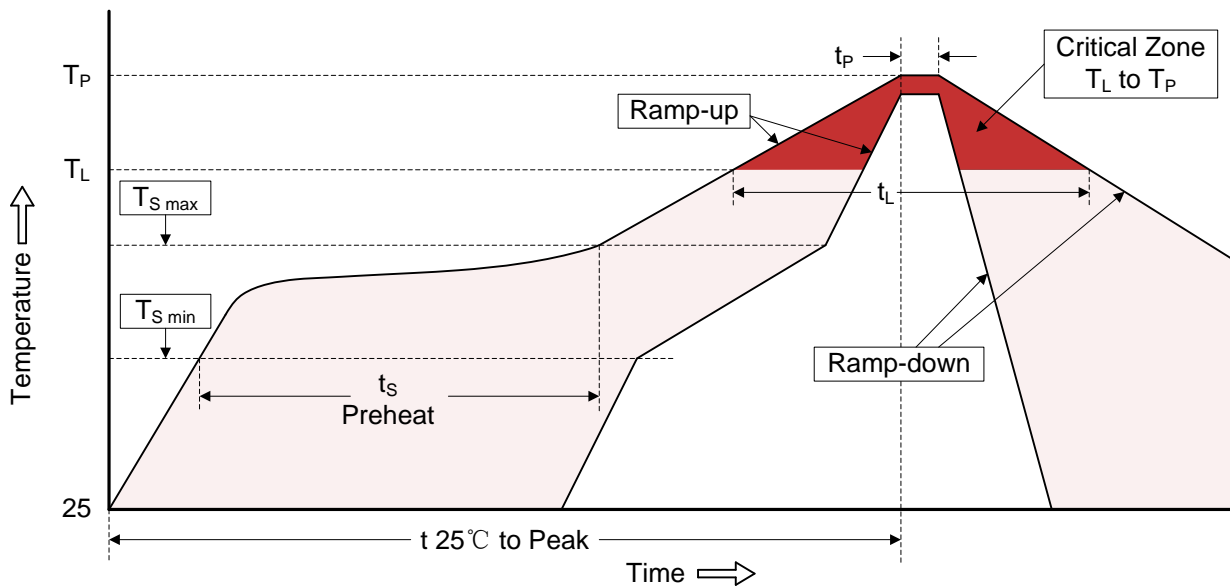


Figure 6. Maximum Non-Repetitive Forward Surge Current Uni-Directional Only



Recommended Soldering Conditions

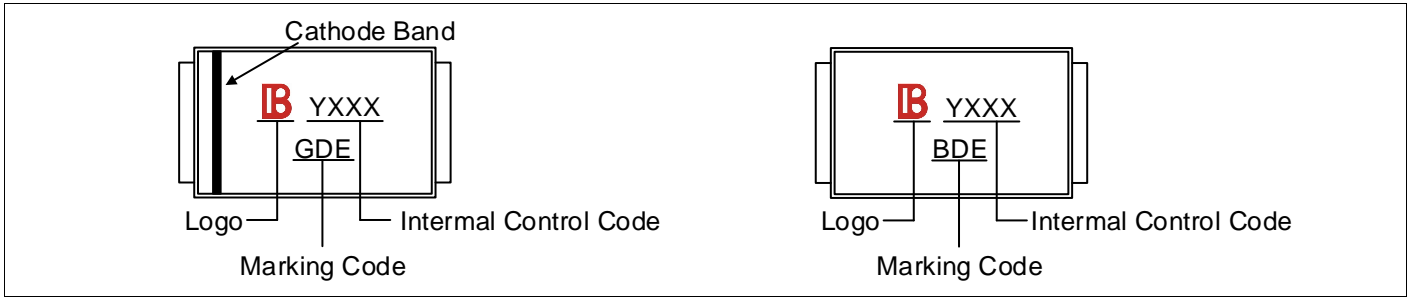
Reflow Soldering



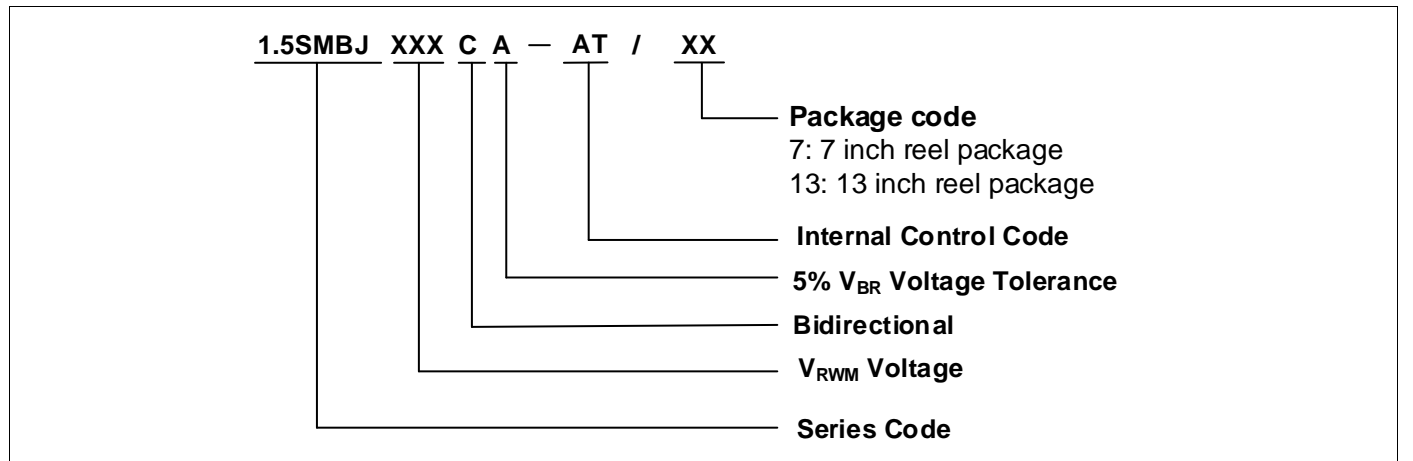
Recommended Conditions

Profile Feature	Pb-Free Assembly
Average ramp-up rate (T_L to T_P)	3°C/second max.
Preheat	
-Temperature Min ($T_{S\ min}$)	150°C
-Temperature Max ($T_{S\ max}$)	200°C
-Time (min to max) (t_s)	60-180 seconds
$T_{S\ max}$ to T_L	
-Ramp-up Rate	3°C/second max.
Time maintained above:	
-Temperature (T_L)	217°C
-Time (t_L)	60-150 seconds
Peak Temperature (T_P)	260°C
Time within 5°C of actual Peak Temperature (t_P)	20-40 seconds
Ramp-down Rate	6°C/second max.
Time 25°C to Peak Temperature	8 minutes max.

Marking Code



Part Number Code



Ordering Code for Different Package

7 inch reel package: Add suffix “ /7 ” at the end of the part number, such as 1.5SMBJXXXCA-AT/7

13 inch reel package: Add suffix “ /13 ” at the end of the part number, such as 1.5SMBJXXXCA-AT/13

Packaging

Tape	Symbol	Dimension (mm)
	W	12.00±0.20
	P0	4.00±0.10
	P1	8.00±0.10
	P2	2.00±0.10
	D0	Φ1.55±0.10
	D1	Φ1.5±0.10
	E	1.75±0.10
	F	5.50±0.10
	A0	3.86±0.15
	B0	5.65±0.10
	K0	2.75±0.15
	T	0.25±0.05
	<p>7" Reel</p>	D2
D3		Φ50.0Min.
D4		Φ13.0±0.5
W1		16.0±2.0
Quantity: 500PCS		
<p>13" Reel</p>	D5	Φ330.0±2.0
	D6	Φ13.5±0.5
	H	2.5±1.0
	W2	16.0±2.0
	Quantity: 3000PCS	

LEGAL DISCLAIMER

YAGEO, its distributors and agents (collectively, "YAGEO"), hereby disclaims any and all liabilities for any errors, inaccuracies or incompleteness contained in any product related information, including but not limited to product specifications, datasheets, pictures and/or graphics. YAGEO may make changes, modifications and/or improvements to product related information at any time and without notice.

YAGEO makes no representation, warranty, and/or guarantee about the fitness of its products for any particular purpose or the continuing production of any of its products. To the maximum extent permitted by law, YAGEO disclaims (i) any and all liability arising out of the application or use of any YAGEO product, (ii) any and all liability, including without limitation special, consequential or incidental damages, and (iii) any and all implied warranties, including warranties of fitness for a particular purpose, non-infringement and merchantability.

YAGEO products are designed for general purpose applications under normal operation and usage conditions. Please contact YAGEO for the applications listed below which require especially high reliability for the prevention of defects which might directly cause damage to the third party's life, body or property: Aerospace equipment (artificial satellite, rocket, etc.), Atomic energy-related equipment, Aviation equipment, Disaster prevention equipment, crime prevention equipment, Electric heating apparatus, burning equipment, Highly public information network equipment, data-processing equipment, Medical devices, Military equipment, Power generation control equipment, Safety equipment, Traffic signal equipment, Transportation equipment and Undersea equipment, or for any other application or use in which the failure of YAGEO products could result in personal injury or death, or serious property damage. Particularly **YAGEO Corporation and its affiliates do not recommend the use of commercial or automotive grade products for high reliability applications or manned space flight.**

Information provided here is intended to indicate product specifications only. YAGEO reserves all the rights for revising this content without further notification, as long as products are unchanged. Any product change will be announced by PCN.