



9N80

Power MOSFET

9A, 800V N-CHANNEL POWER MOSFET

■ DESCRIPTION

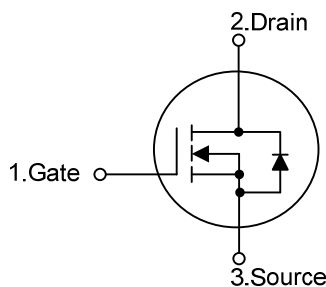
The UTC **9N80** is an N-channel mode power MOSFET using UTC's advanced technology to provide costumers with planar stripe and DMOS technology. This technology is specialized in allowing a minimum on-state resistance and superior switching performance. It also can withstand high energy pulse in the avalanche and commutation mode.

The UTC **9N80** is universally applied in high efficiency switch mode power supply.

■ FEATURES

- * $R_{DS(on)} = 1.3\Omega @ V_{GS} = 10V$
- * Improved Gate Charge
- * Lower Input Capacitance
- * Lower Leakage Current: $25\mu A (Max.) @ V_{DS} = 800V$

■ SYMBOL

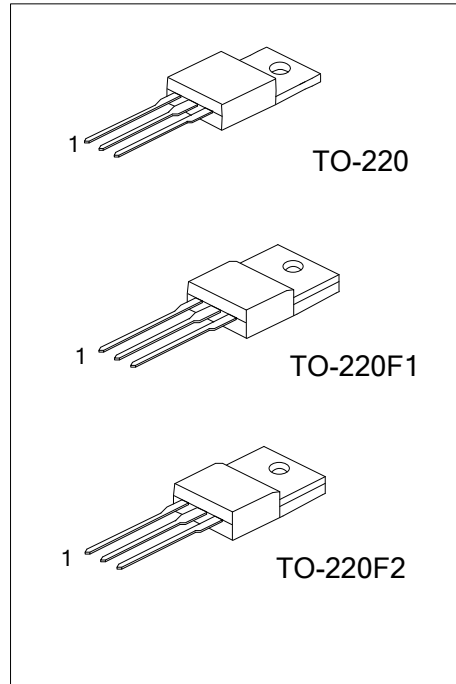


■ ORDERING INFORMATION

Ordering Number		Package	Pin Assignment			Packing
Lead Free	Halogen Free		1	2	3	
9N80L-TA3-T	9N80G-TA3-T	TO-220	G	D	S	Tube
9N80L-TF1-T	9N80G-TF1-T	TO-220F1	G	D	S	Tube
9N80L-TF2-T	9N80G-TF2-T	TO-220F2	G	D	S	Tube

Note: Pin Assignment: G: Gate D: Drain S: Source

<p>9N80L-TA3-T</p>	<p>(1) T: Tube (2) TA3: TO-220, TF1: TO-220F1, TF2: TO-220F2 (3) G: Halogen Free, L: Lead Free</p>
--------------------	----------------------------------------------------------------------------------------------------------------------------------------------



■ ABSOLUTE MAXIMUM RATINGS($T_C = 25^\circ\text{C}$, unless otherwise specified)

PARAMETER		SYMBOL	RATINGS	UNIT
Drain-Source Voltage		V_{DSS}	800	V
Gate-Source Voltage		V_{GSS}	± 30	V
Avalanche Current (Note 2)		I_{AR}	9	A
Drain Current (Continuous)	Continuous	I_D	9	A
	Pulsed (Note 2)	I_{DM}	36	A
Avalanche Energy	Single Pulsed (Note 3)	E_{AS}	900	mJ
	Repetitive (Note 2)	E_{AR}	24	mJ
Peak Diode Recovery dv/dt (Note 4)		dv/dt	2.0	V/ns
Power Dissipation	TO-220	P_D	147	W
	TO-220F1		61	
	TO-220F2		64	
Junction Temperature		T_J	+150	$^\circ\text{C}$
Storage Temperature		T_{STG}	-55~+150	$^\circ\text{C}$

Note: 1. Absolute maximum ratings are those values beyond which the device could be permanently damaged.

Absolute maximum ratings are stress ratings only and functional device operation is not implied.

2. Repetitive Rating: Pulse width limited by maximum junction temperature

3. $L = 21\text{mH}$, $I_{AS} = 9\text{A}$, $V_{DD} = 50\text{V}$, $R_G = 27\Omega$, Starting $T_J = 25^\circ\text{C}$

4. $I_{SD} \leq 9\text{A}$, $di/dt \leq 180\text{A}/\mu\text{s}$, $V_{DD} \leq BV_{DSS}$, Starting $T_J = 25^\circ\text{C}$

■ THERMAL DATA

PARAMETER		SYMBOL	RATINGS	UNIT
Junction to Ambient		θ_{JA}	62.5	$^\circ\text{C}/\text{W}$
Junction to Case	TO-220	θ_{JC}	0.85	$^\circ\text{C}/\text{W}$
	TO-220F1		2.04	
	TO-220F2		1.95	

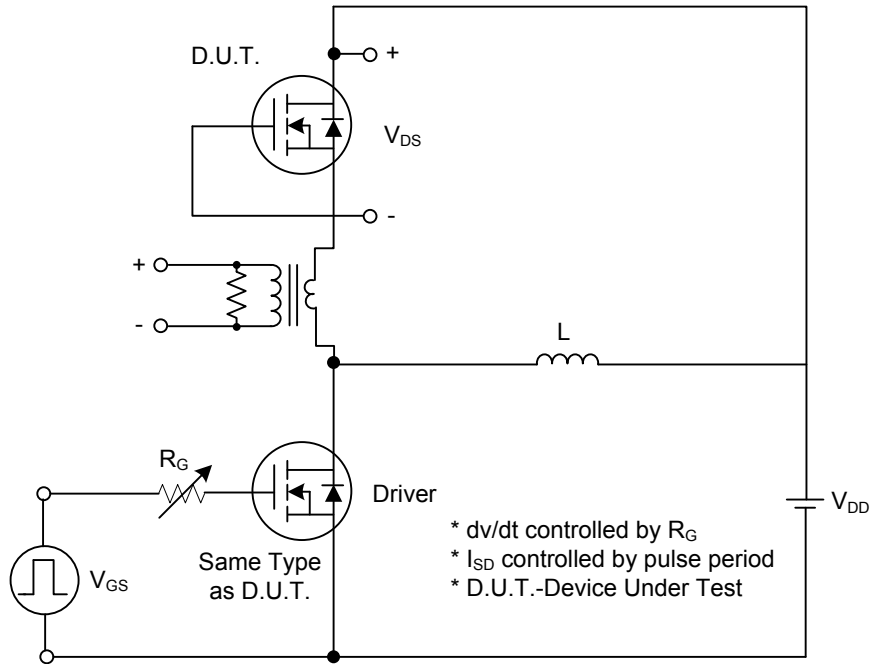
■ ELECTRICAL CHARACTERISTICS (T_c=25°C, unless otherwise specified)

PARAMETER	SYMBOL	TEST CONDITIONS	MIN	TYP	MAX	UNIT
OFF CHARACTERISTICS						
Drain-Source Breakdown Voltage	BV _{DSS}	I _D =250μA, V _{GS} =0V	800			V
Breakdown Voltage Temperature Coefficient	ΔBV _{DSS} /ΔT _J	I _D =250μA		0.96		V/°C
Drain-Source Leakage Current	I _{DSS}	V _{DS} =800V			25	μA
Gate- Source Leakage Current	Forward	V _{GS} =+30V			+100	nA
	Reverse	V _{GS} =-30V			-100	nA
ON CHARACTERISTICS						
Gate Threshold Voltage	V _{GS(TH)}	V _{DS} =5V, I _D =250μA	3		5	V
Static Drain-Source On-State Resistance	R _{DS(ON)}	V _{GS} =10V, I _D =4.5A		1.05	1.3	Ω
Forward Transconductance	g _{FS}	V _{DS} =50V, I _D =4.5A (Note 1)		5.54		S
DYNAMIC PARAMETERS						
Input Capacitance	C _{ISS}	V _{GS} =0V, V _{DS} =25V, f=1.0MHz,		2020	2600	pF
Output Capacitance	C _{OSS}			195	230	pF
Reverse Transfer Capacitance	C _{RSS}			82	95	pF
SWITCHING PARAMETERS						
Total Gate Charge	Q _G	V _{GS} =10V, V _{DS} =640V, I _D =9A, (Note 1, 2)		93	120	nC
Gate to Source Charge	Q _{GS}			14.3		nC
Gate to Drain Charge	Q _{GD}			42.1		nC
Turn-ON Delay Time	t _{D(ON)}	V _{DD} =400V, I _D =9 A, R _G =16Ω, (Note 1, 2)		25	60	ns
Rise Time	t _R			37	85	ns
Turn-OFF Delay Time	t _{D(OFF)}			113	235	ns
Fall-Time	t _F			42	95	ns
SOURCE- DRAIN DIODE RATINGS AND CHARACTERISTICS						
Maximum Body-Diode Continuous Current	I _S	Integral reverse pn-diode in the mosfet			9	A
Maximum Pulsed Drain-Source Diode Forward Current (Note 1)	I _{SM}				36	A
Drain-Source Diode Forward Voltage (Note 1)	V _{SD}	I _S =9A, V _{GS} =0V, T _J =25°C			1.4	V
Reverse Recovery Time	t _{rr}	T _J =25°C, I _F =9A,		560		ns
Reverse Recovery Charge	Q _{RR}	dI _F /dt=100A/μs, (Note 1)		8.4		μC

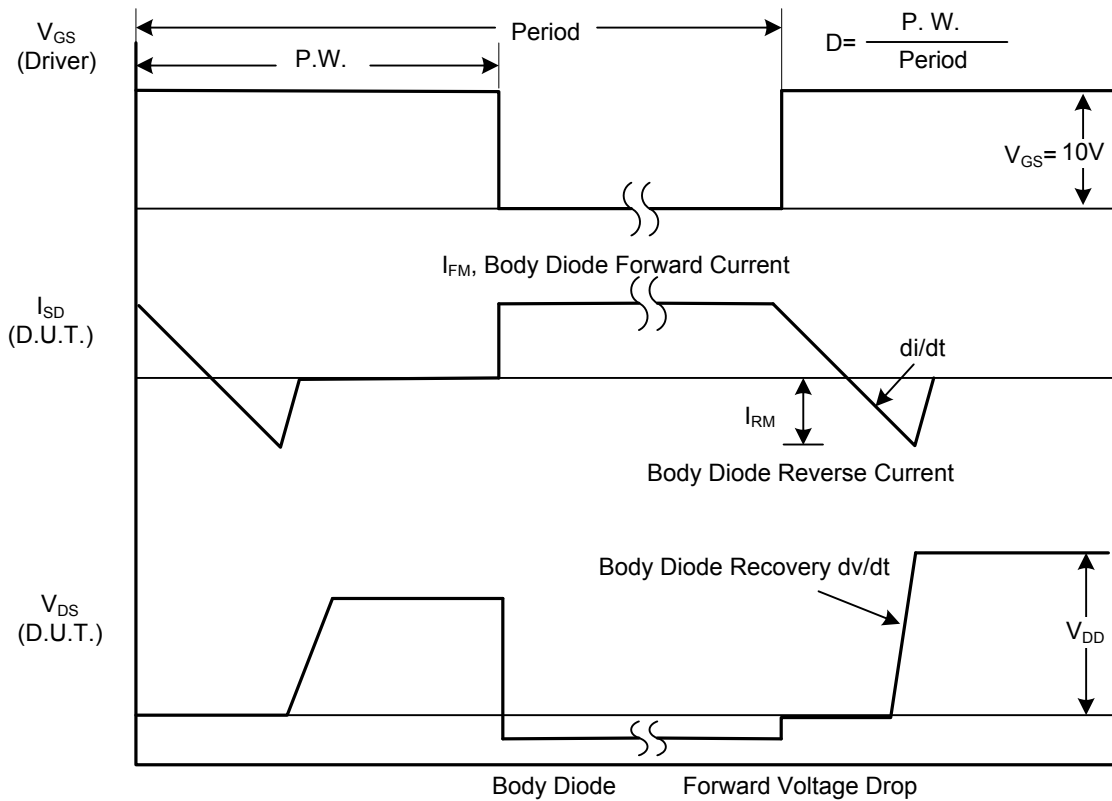
Note: 1. Pulse Test: Pulse width ≤ 250μs, Duty cycle ≤ 2%

2. Essentially independent of operating temperature

■ TEST CIRCUITS AND WAVEFORMS

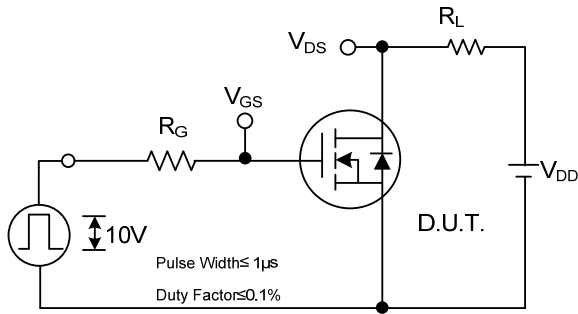


Peak Diode Recovery dv/dt Test Circuit

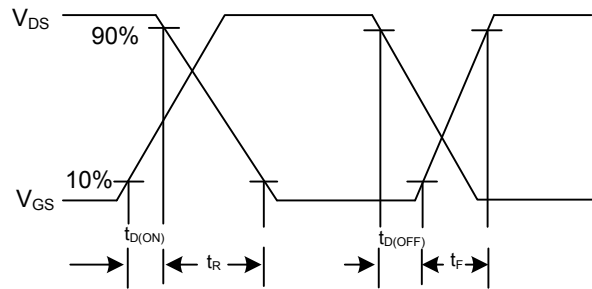


Peak Diode Recovery dv/dt Waveforms

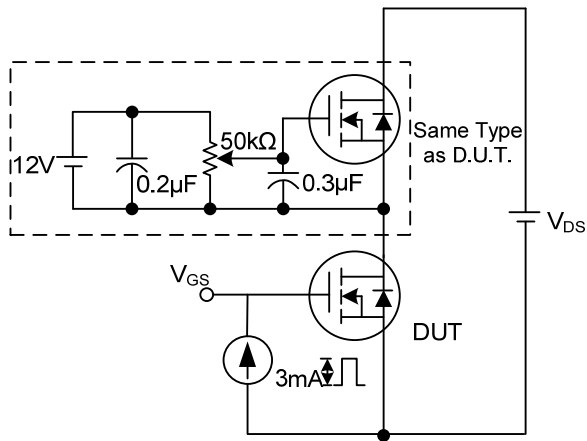
■ TEST CIRCUITS AND WAVEFORMS (Cont.)



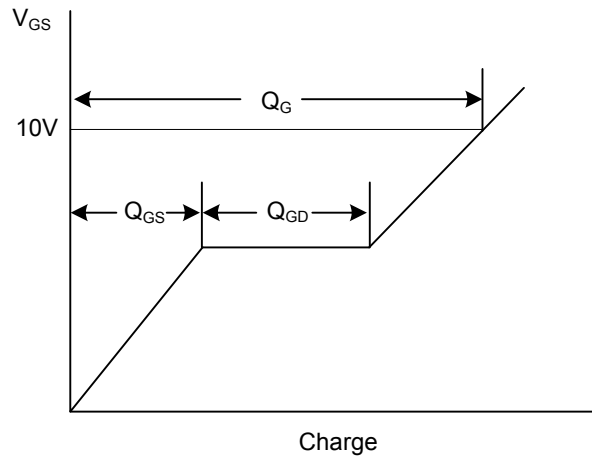
Switching Test Circuit



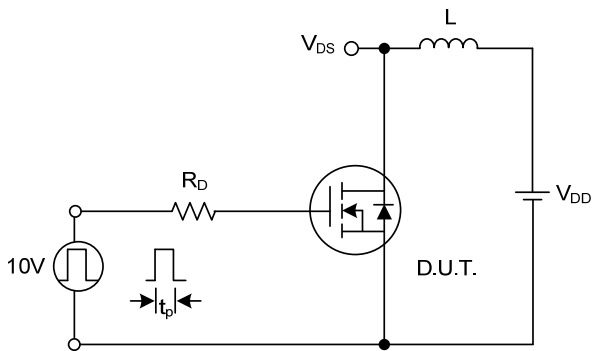
Switching Waveforms



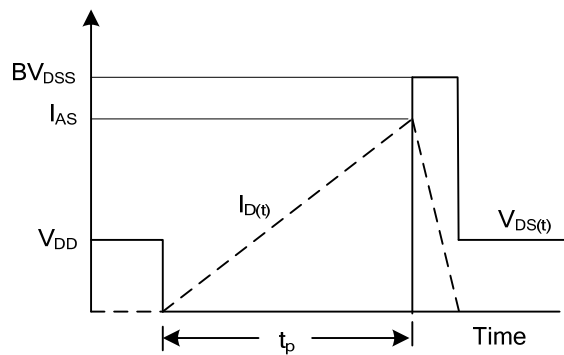
Gate Charge Test Circuit



Gate Charge Waveform

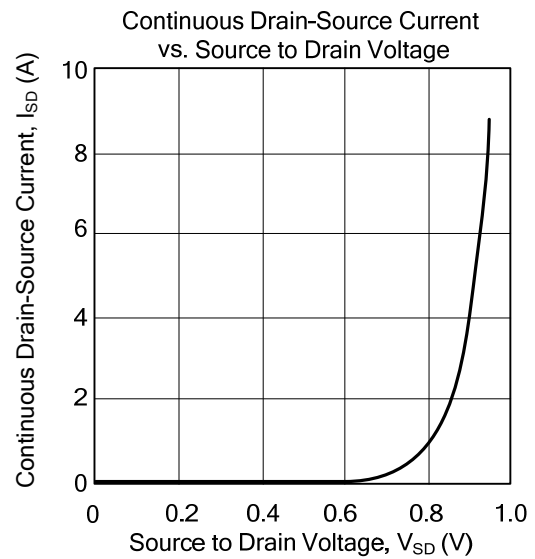
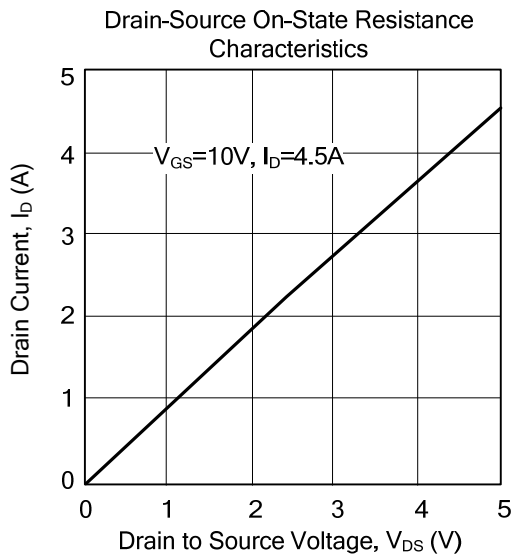
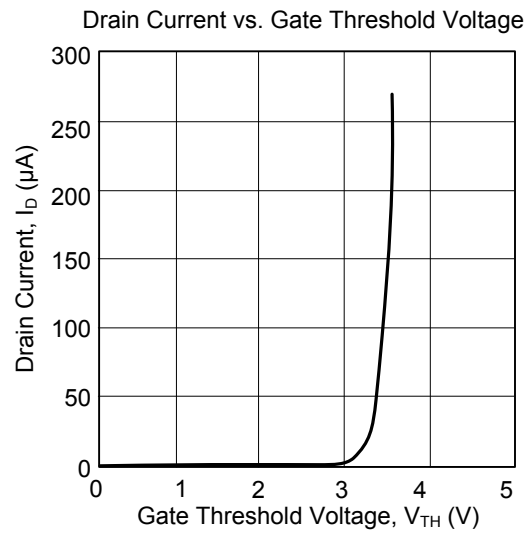
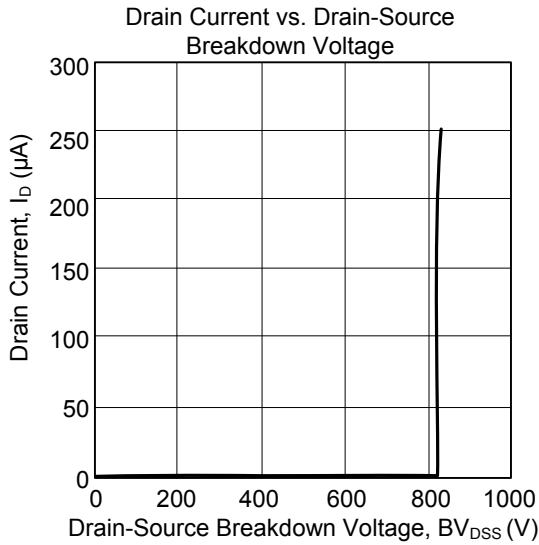


Unclamped Inductive Switching Test Circuit



Unclamped Inductive Switching Waveforms

■ TYPICAL CHARACTERISTICS



UTC assumes no responsibility for equipment failures that result from using products at values that exceed, even momentarily, rated values (such as maximum ratings, operating condition ranges, or other parameters) listed in products specifications of any and all UTC products described or contained herein. UTC products are not designed for use in life support appliances, devices or systems where malfunction of these products can be reasonably expected to result in personal injury. Reproduction in whole or in part is prohibited without the prior written consent of the copyright owner. The information presented in this document does not form part of any quotation or contract, is believed to be accurate and reliable and may be changed without notice.