



UH266

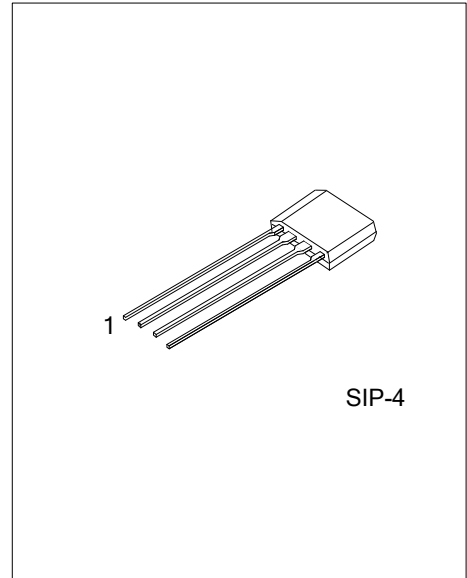
LINEAR INTEGRATED CIRCUIT

HIGH VOLTAGE HALL EFFECT LATCH

DESCRIPTION

The UTC **UH266** is a one-chip composed of Hall sensor and output coil drivers, applied to two-phase brush-less DC motor. The device includes an on-chip Hall plate for magnetic sensing, a amplifier for Hall voltage, and a Schmitt trigger to provide switching hysteresis, and complementary darlington open-collector drivers for sinking large current loads. An internal bandgap regulator is used to provide temperature compensated supply voltage and allows a wide operating range.

If B>Bop, DO turn on (low) and DOB turn off (high). The outputs state is latched prior to reach release point (Brp). if B<Brp, DO turn off and DOB turn on. UTC **UH266** is rated for operation over temperature range from -20°C to 85°C and voltage range from 4V to 28V.



FEATURES

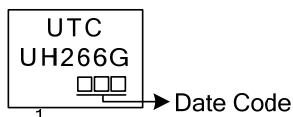
- * Operating voltage: 4V~28V
- * Output current: 400mA(Continuous, 25°C)
- * Output protection Zener breakdown Vz=62V(Typ)
- * Reverse power protection

ORDERING INFORMATION

Ordering Number	Package	Packing
UH266G-G04-K	SIP-4	Bulk

<p>UH266G-G04-K</p> <p>(1) Packing Type (2) Package Type (3) Green Package</p>	<p>(1) K: Bulk (2) G04: SIP-4 (3) G: Halogen Free and Lead Free</p>
--	---

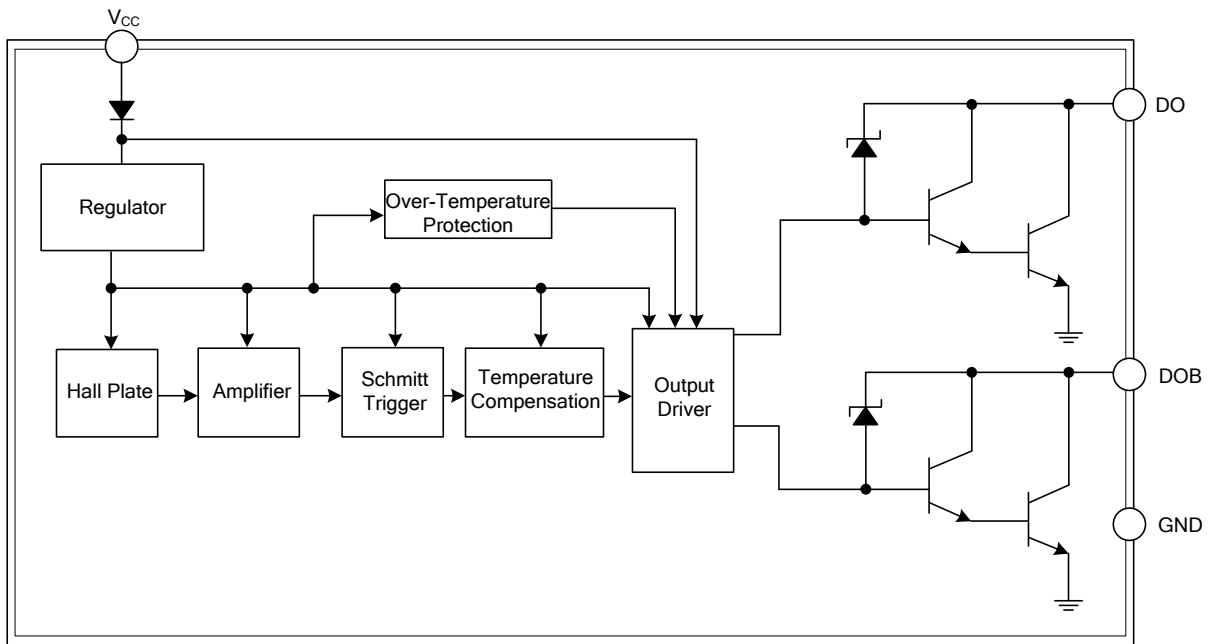
MARKING



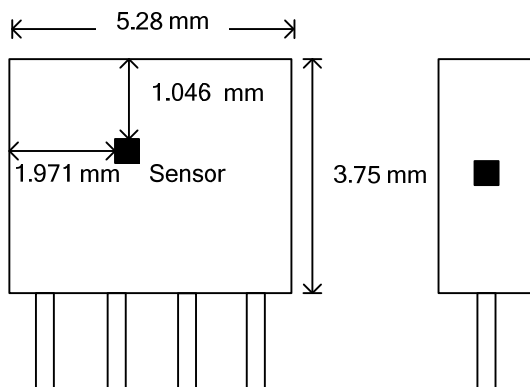
PIN DESCRIPTION

PIN NO.	PIN NAME	DESCRIPTION
1	V _{CC}	Positive Power Supply
2	DO	Output Pin
3	DOB	Output Pin
4	GND	Ground

BLOCK DIAGRAM



SENSOR LOCATIONS



■ ABSOLUTE MAXIMUM RATING (T_A=25°C)

PARAMETER	SYMBOL	RATINGS	UNIT
Supply Voltage	V _{CC}	28	V
Output "OFF" Voltage	V _{OUT(OFF)}	28	V
Output "ON" Current	I _{O(con)}	400 (Note 2)	mA
	I _{O(hold)}	500	mA
	I _{O(peak)}	700	mA
Magnetic Flux Density	B	Unlimited	Gauss
Power Dissipation (Note 3)	P _D	550	mW
Operating Temperature Range	T _{OPR}	-20~+85	°C
Storage Temperature	T _{STG}	-65~+150	°C

Notes: 1. Absolute maximum ratings are those values beyond which the device could be permanently damaged.

Absolute maximum ratings are stress ratings only and functional device operation is not implied.

2. I_{O(con)} is 150mA at 85°C

3. See Performance Characteristic for other conditions

■ THERMAL DATA

PARAMETER	SYMBOL	RATINGS	UNIT
Junction to Ambient	θ _{JA}	227	°C/W

■ ELECTRICAL CHARACTERISTICS (T_A=25°C)

PARAMETER	SYMBOL	TEST CONDITIONS	MIN	TYP	MAX	UNIT
Supply Voltage	V _{CC}		4		28	V
Output Zener Breakdown	V _Z	Output Turn Off	50			V
Output Saturation Voltage	V _{CE(sat)}	V _{CC} =24V, I _C =400mA		1.1	1.5	V
Output Leakage Current	I _{CEX}	V _{CC} =24V, V _{CE} =24V		< 0.1	10	μA
Supply Current	I _{CC}	V _{CC} =24V, Output Open		5	10	mA
Output Rise Time	t _R	V _{CC} =24V, R _L =820Ω, C _L =20pF		1.0	5	μs
Output Falling Time	t _F			1.0	1.5	μs
Switch Time Differential	Δt			3.0	10	μs

■ MAGNETIC CHARACTERISTICS (T_A=25°C)

A grade

(1mT=10Gauss)

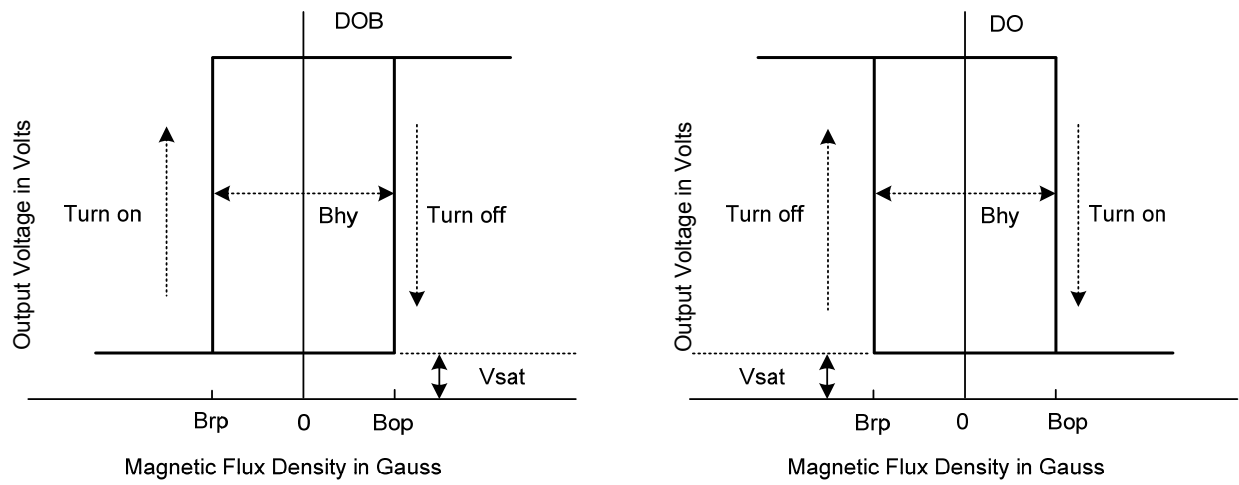
PARAMETER	SYMBOL	MIN	TYP	MAX	UNIT
Operate Point	B _{op}	10		70	Gauss
Release Point	B _{rp}	-70		-10	Gauss
Hysteresis	B _{hy}		80		Gauss

B grade

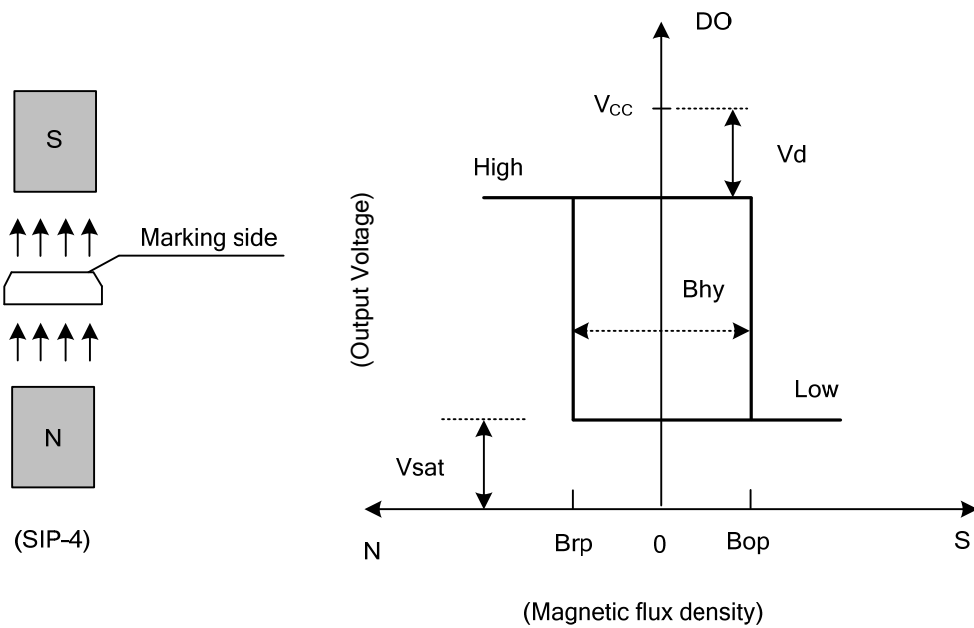
(1mT=10Gauss)

PARAMETER	SYMBOL	MIN	TYP	MAX	UNIT
Operate Point	B _{op}			100	Gauss
Release Point	B _{rp}	-100			Gauss
Hysteresis	B _{hy}		80		Gauss

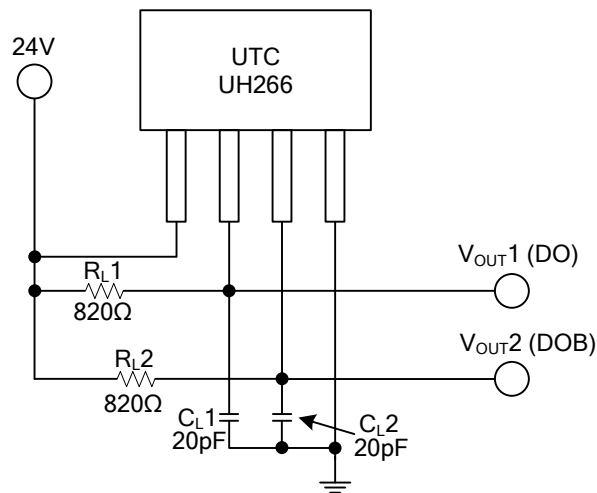
■ CHYSTERESIS CHARACTERISTICS



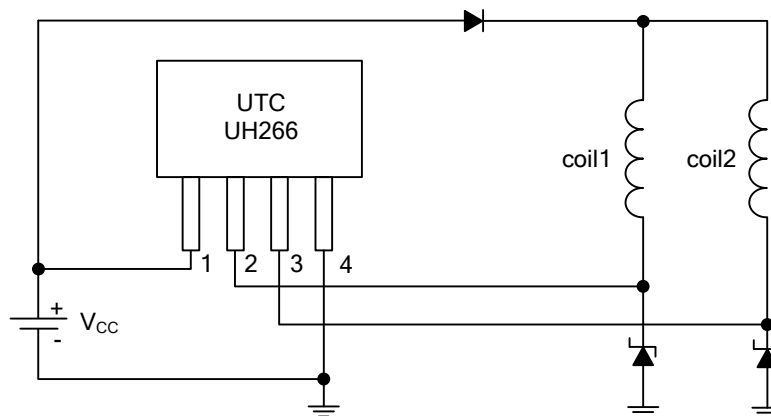
■ OPERATION CHARACTERISTICS



■ TEST CIRCUIT



■ TYPICAL APPLICATION CIRCUIT



Brush-less DC Fan

UTC assumes no responsibility for equipment failures that result from using products at values that exceed, even momentarily, rated values (such as maximum ratings, operating condition ranges, or other parameters) listed in products specifications of any and all UTC products described or contained herein. UTC products are not designed for use in life support appliances, devices or systems where malfunction of these products can be reasonably expected to result in personal injury. Reproduction in whole or in part is prohibited without the prior written consent of the copyright owner. The information presented in this document does not form part of any quotation or contract, is believed to be accurate and reliable and may be changed without notice.