

## SOD-123 Plastic-Encapsulate Diodes

**2CZ4004**

RECTIFICATION DIODE

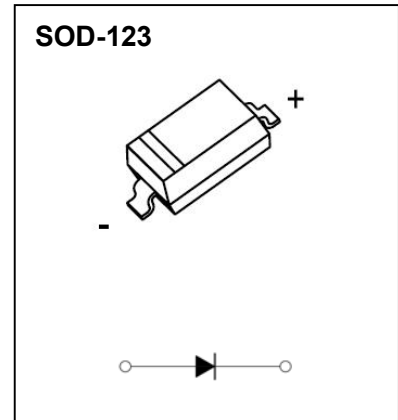
**FEATURES**

- Low Leakage Current
- Ideal for Surface Mounted Applications

**MARKING:Z44**



The marking bar indicates the cathode  
Solid dot = Green molding compound device.



**MAXIMUM RATINGS (T<sub>a</sub>=25°C unless otherwise noted)**

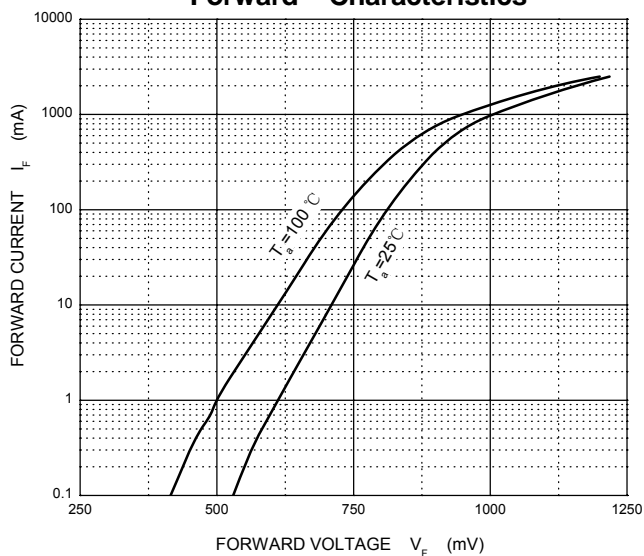
Symbol	Parameter	Value	Unit
V <sub>RM</sub>	Non-repetitive peak reverse voltage	400	V
V <sub>R</sub>	Reverse Voltage		
V <sub>R(RMS)</sub>	RMS reverse voltage	280	V
I <sub>O</sub>	Average rectified output current	1	A
I <sub>FSM</sub>	Non-repetitive peak forward surge current @t=8.3ms	7.5	A
P <sub>D</sub>	Power dissipation	350	mW
R <sub>θJA</sub>	Thermal resistance from junction to ambient	357	°C/W
T <sub>J</sub> , T <sub>stg</sub>	Operation Junction and Storage Temperature Range	-55~+150	°C

**ELECTRICAL CHARACTERISTICS(T<sub>a</sub>=25°C unless otherwise specified)**

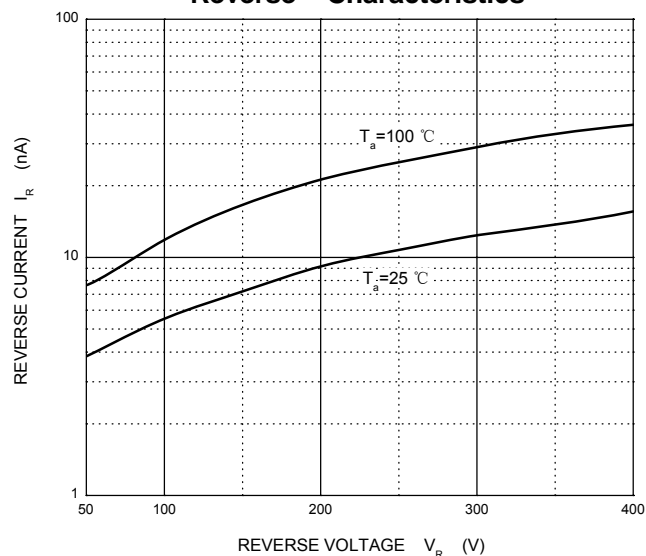
Parameter	Symbol	Test conditions	Min	Typ	Max	Unit
Reverse voltage	V <sub>(BR)</sub>	I <sub>R</sub> =100μA	400			V
Reverse current	I <sub>R</sub>	V <sub>R</sub> =400V			5	μA
Forward voltage	V <sub>F</sub>	I <sub>F</sub> =1A			1.1	V
Total capacitance	C <sub>tot</sub>	V <sub>R</sub> =4V, f=1MHz			15	pF

# Typical Characteristics

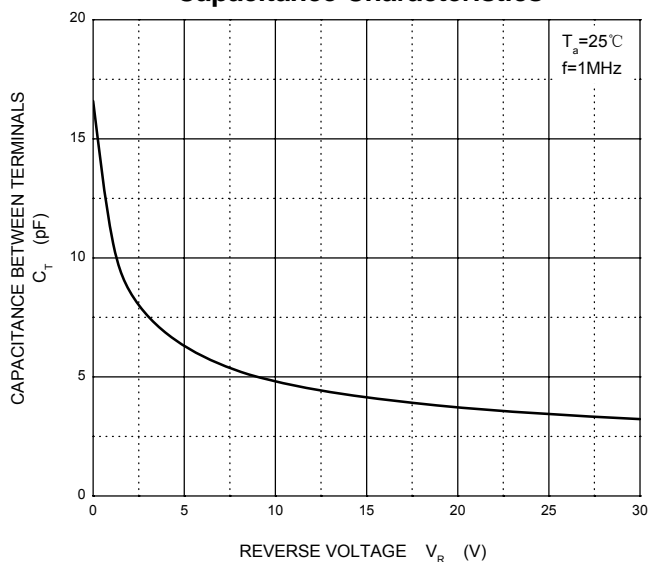
### Forward Characteristics



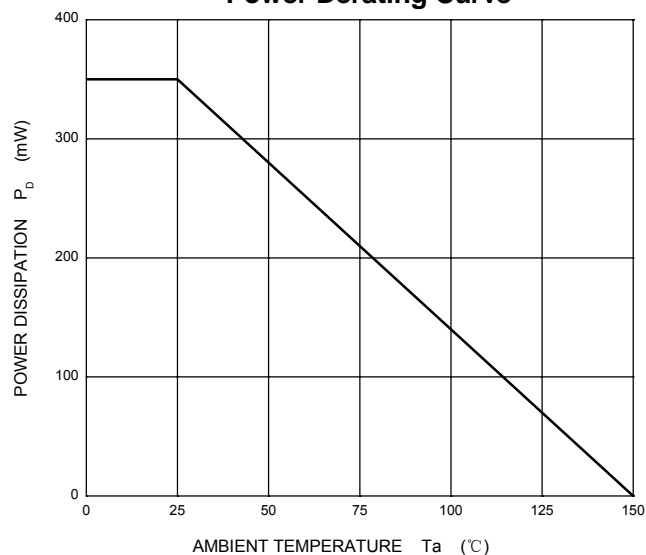
### Reverse Characteristics



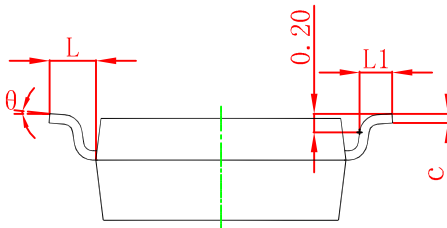
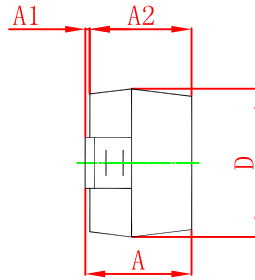
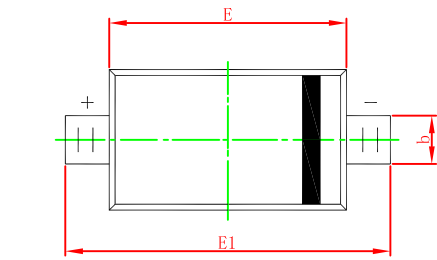
### Capacitance Characteristics



### Power Derating Curve

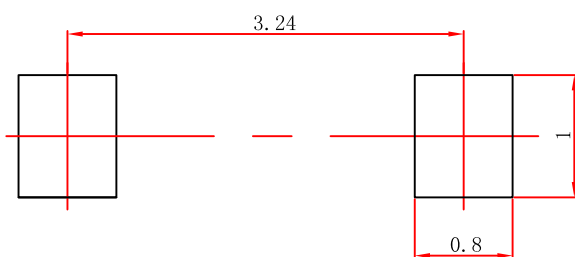


## SOD-123 Package Outline Dimensions



Symbol	Dimensions In Millimeters		Dimensions In Inches	
	Min	Max	Min	Max
A	1.050	1.250	0.041	0.049
A1	0.000	0.100	0.000	0.004
A2	1.050	1.150	0.041	0.045
b	0.450	0.650	0.018	0.026
c	0.080	0.150	0.003	0.006
D	1.500	1.700	0.059	0.067
E	2.600	2.800	0.102	0.110
E1	3.550	3.850	0.140	0.152
L	0.500 REF		0.020 REF	
L1	0.250	0.450	0.010	0.018
θ	0°	8°	0°	8°

## SOD-123 Suggested Pad Layout



### Note:

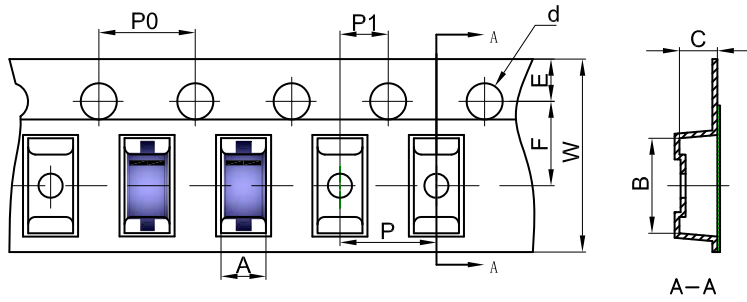
1. Controlling dimension: in millimeters.
2. General tolerance:  $\pm 0.05\text{mm}$ .
3. The pad layout is for reference purposes only.

### NOTICE

JSCJ reserves the right to make modifications, enhancements, improvements, corrections or other changes without further notice to any product herein. JSCJ does not assume any liability arising out of the application or use of any product described herein.

# SOD-123 Tape and Reel

## SOD-123 Embossed Carrier Tape



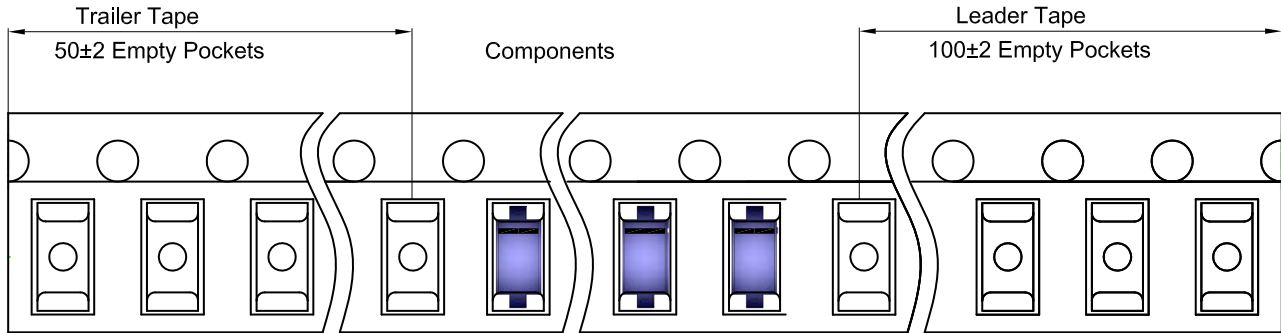
### Packaging Description:

SOD-123 parts are shipped in tape. The carrier tape is made from a dissipative (carbon filled) polycarbonate resin. The cover tape is a multilayer film (Heat Activated Adhesive in nature) primarily composed of polyester film, adhesive layer, sealant, and anti-static sprayed agent. These reeled parts in standard option are shipped with 3,000 units per 7" or 17.8cm diameter reel. The reels are clear in color and is made of polystyrene plastic (anti-static coated).

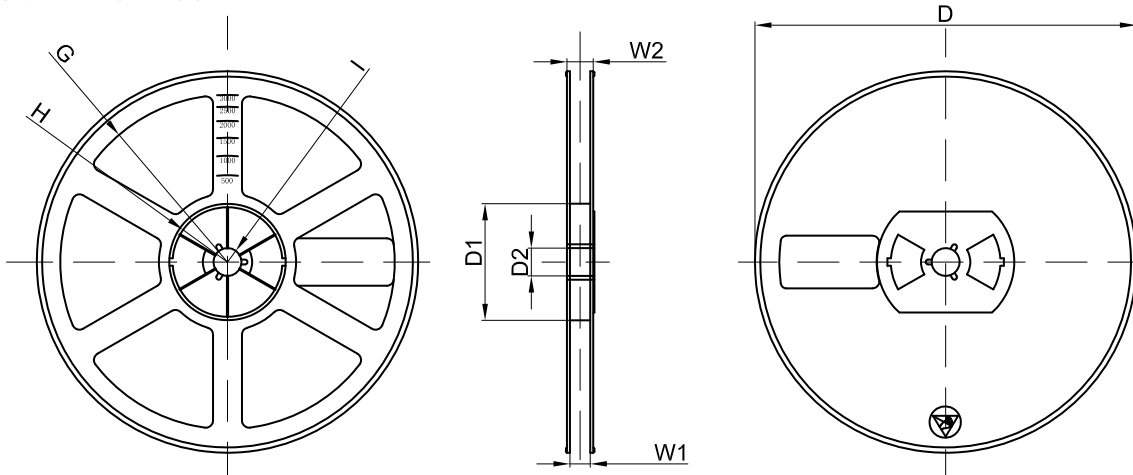
Dimensions are in millimeter

Pkg type	A	B	C	d	E	F	P0	P	P1	W
SOD-123	1.85	3.95	1.57	Ø1.55	1.75	3.50	4.00	4.00	2.00	8.00

## SOD-123 Tape Leader and Trailer



## SOD-123 Reel



Dimensions are in millimeter

Reel Option	D	D1	D2	G	H	I	W1	W2
7" Dia	Ø178.00	54.40	13.00	R78.00	R25.60	R6.50	9.50	12.30

REEL	Reel Size	Box	Box Size(mm)	Carton	Carton Size(mm)	G.W.(kg)
3000 pcs	7 inch	45,000 pcs	203×203×195	180,000 pcs	438×438×220	