



TO-247-2L Plastic-Encapsulate Diode

GBRW60160 General Purpose Rectifier Diodes

MAIN CHARACTERISTICS

I_O	60A
V_{RRM}	1600V
T_j	150°C
$V_{F(typ)}$	0.95V(@$T_j=125^\circ\text{C}$)

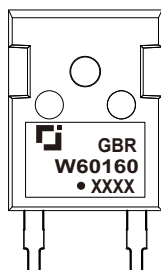
FEATURES

- Low forward voltage drop
- Low leakage current
- High voltage capability
- High inrush current capability

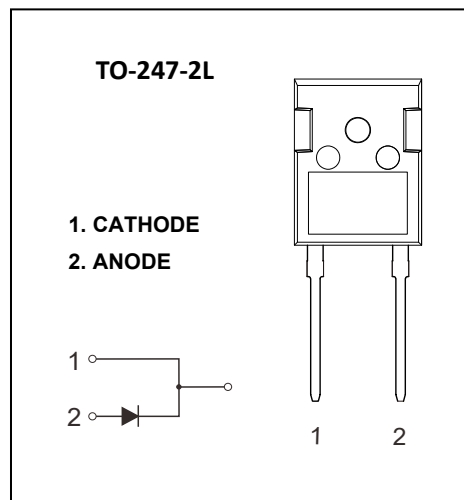
APPLICATIONS

- Input rectifier
- Bypass diode

MARKING



GBRW60160 = Device code
 Solid dot = Green molding compound device
 if none, the normal device
 XXXX = Code



MAXIMUM RATINGS ($T_c=25^\circ\text{C}$ unless otherwise noted)

Symbol	Parameter	GBRW60160	Unit
V_{RRM}	Peak Repetitive Reverse Voltage	1600	V
V_R	DC Blocking Voltage		
$I_{F(AV)}$	Average Forward Current($T_c=126^\circ\text{C}$)	60	A
$I_{F(RMS)}$	RMS Forward Current($T_c=126^\circ\text{C}$)	85	A
I_{FSM}	Non-Repetitive Surge Forward Current (8.3ms)	1160	A
P_D	Power dissipation	417	W
$R_{\theta JC}$	Thermal Resistance From Junction to Case	0.3	$^\circ\text{C}/\text{W}$
T_j	Operating Junction Temperature Range	-55 ~ +150	$^\circ\text{C}$
T_{stg}	Storage Temperature Range	-55 ~ +150	$^\circ\text{C}$

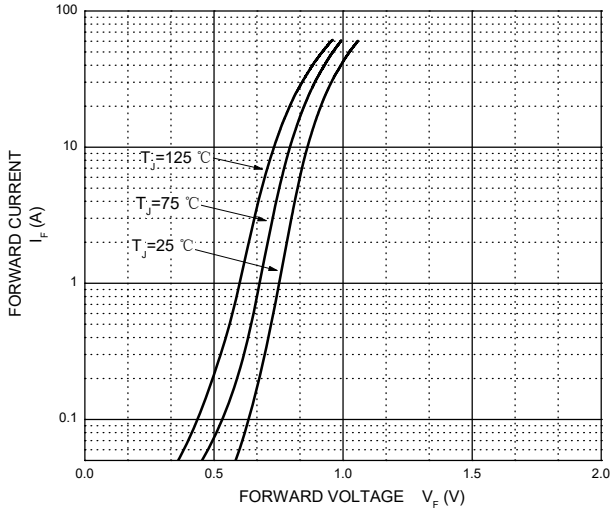
Typical Characteristics

ELECTRICAL CHARACTERISTICS ($T_c=25^\circ\text{C}$ unless otherwise specified)

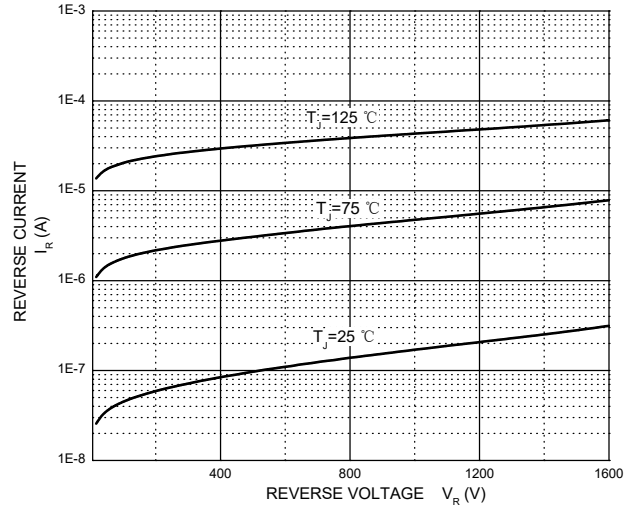
Symbol	Parameter	Test Conditions	Min.	Typ.	Max.	Unit	
$V_{(BR)}$	Reverse Voltage	$I_R=100\mu\text{A}$	1600			V	
I_R	Reverse Current	$V_R=1600\text{V}$	$T_j=25^\circ\text{C}$		5	μA	
			$T_j=125^\circ\text{C}$		1	mA	
V_F	Forward Voltage	$I_F=60\text{A}$	$T_j=25^\circ\text{C}$		1.0	1.3	V
			$T_j=125^\circ\text{C}$		0.95		V
C_{tot}	Total Capacitance	$V_R=200\text{V}, f=1\text{MHz}$		65		pF	

Typical Characteristics

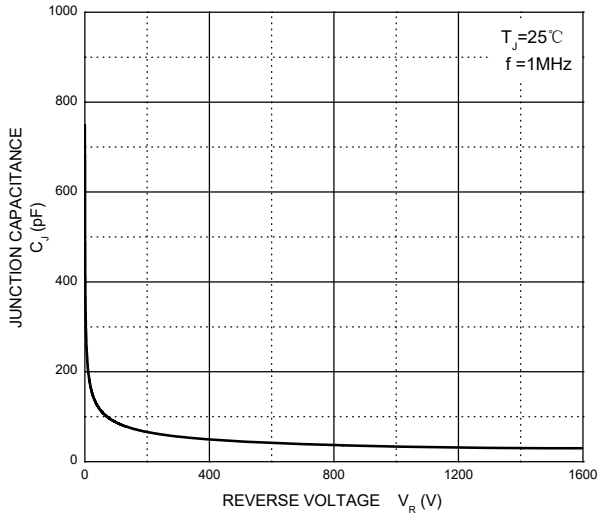
Forward Characteristics



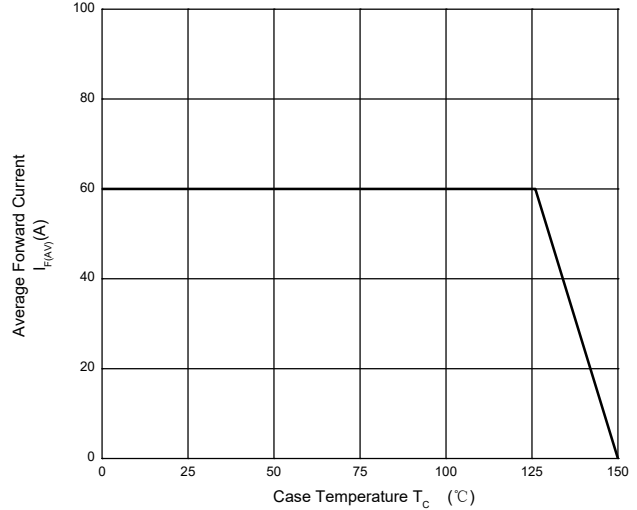
Reverse Characteristics



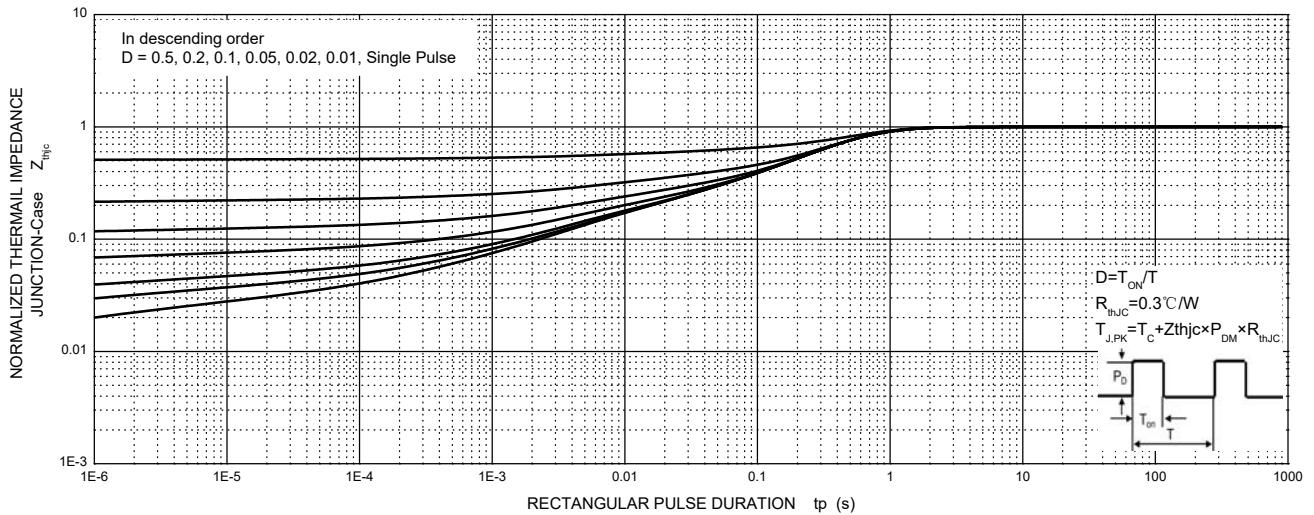
Capacitance Characteristics Per Diode



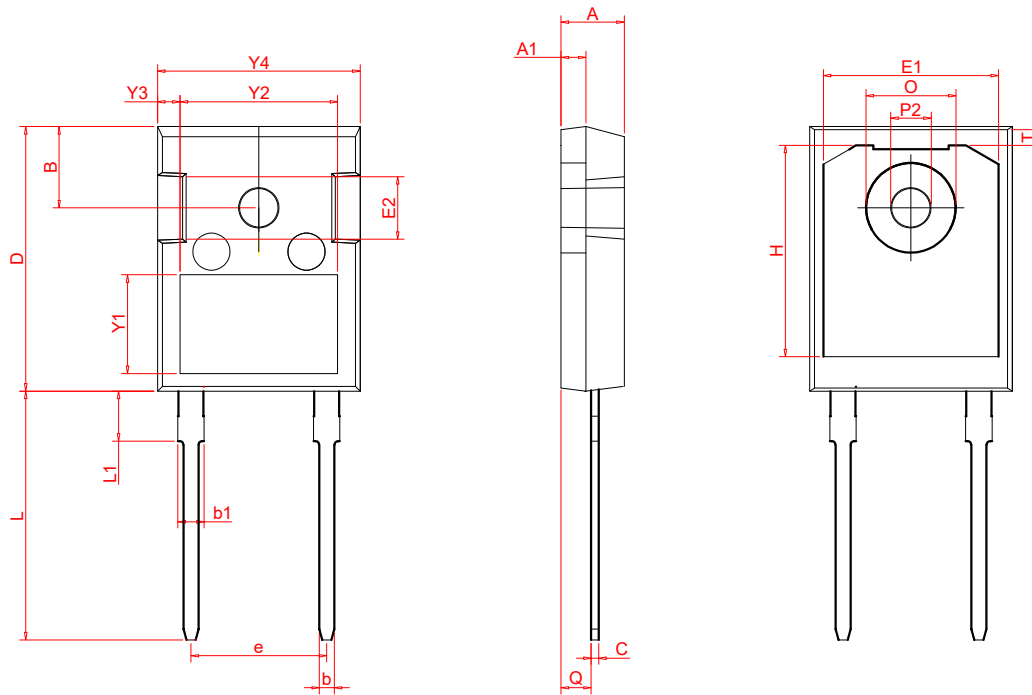
Current Derating



GBRW60160 Transient Thermal Impedance, Junction-Case



TO-247-2L Package Outline Dimensions



Symbol	Dimensions In Millimeters		Dimensions In Inches	
	Min	Max	Min	Max
A	4.70	5.30	0.185	0.209
A1	1.70	2.30	0.067	0.091
C	0.45	0.75	0.018	0.030
Q	2.20	2.60	0.087	0.102
O	7.10	7.40	0.280	0.291
P2	3.45	3.75	0.136	0.148
L	19.00	21.00	0.748	0.827
L1	4.20	4.50	0.165	0.177
b	1.00	1.40	0.039	0.055
b1	1.80	2.25	0.071	0.089
e	10.65	10.95	0.419	0.431
D	20.95	21.35	0.825	0.841
Y1	7.60	8.10	0.299	0.319
Y2	11.00	13.00	0.433	0.512
Y3	1.75	2.25	0.069	0.089
Y4	16.00	16.40	0.630	0.646
E2	4.60	4.90	0.181	0.193
T	1.35REF		0.053REF	
H	16.25REF		0.640REF	
E1	14.00REF		0.551REF	
B	6.55REF		0.258REF	